

SEEPEX.

An Ingersoll Rand Business

FOR HIGHER MOBILITY MINE DEWATERING UNIT



MIN

EASIER TRANSPORT.

The SEEPEX Mine Dewatering Unit is engineered for efficient separating of oversized solids and conveying of mine water. The compact design enables easy transport of the complete unit. Quick and effortless maintenance ensures reduced downtime and lower operating costs.

The unit consists of a skid baseplate, tank, pipework and pump with drive and controls. The compact footprint of the pump allows easy retrofit into existing dewatering units.

MAINTAIN IN PLACE DESIGN

The pump, complete with suction and discharge pipework, can remain in place when changing the rotor and/or stator to minimize downtime.

SETTLING TANK

Configured to control solids and handle overflow. Standard capacity of 3,300 liters (872 US gal).

DUMP VALVE MANIFOLD

Two outlets for sludge or solids removal.

LEVEL CONTROL

Enables automatic operation.

DRIVE

According to the local mining specifications.

LADDER

A light weight, maneuverable work platform.

GALVANIZED BASE FRAME AND PIPEWORK

A protective coating on the skid and pipework to prevent corrosion.

SKID BASEPLATE

Has a compact, bi-directional design and lifting lugs for simple transport.

ROTOR AND STATOR

Can be easily exchanged in place due to patented movable suction casing. Optimized length, compression and size. Wear and corrosion resistant materials in a lightweight design.

BELT GUARD

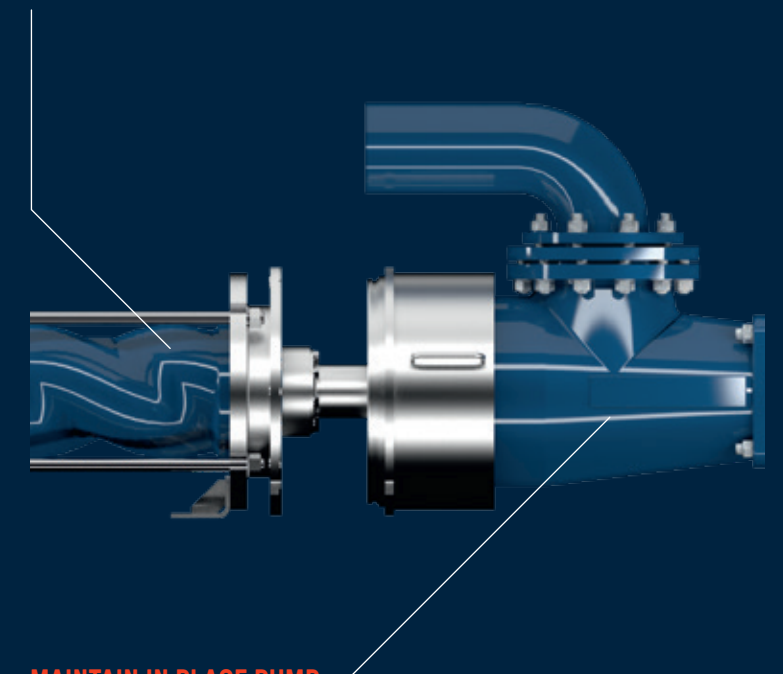
Two-piece lightweight design along with a perforated guard for visual control.

ANTI-ROTATION CLUTCH

Prevents pump running in reverse.

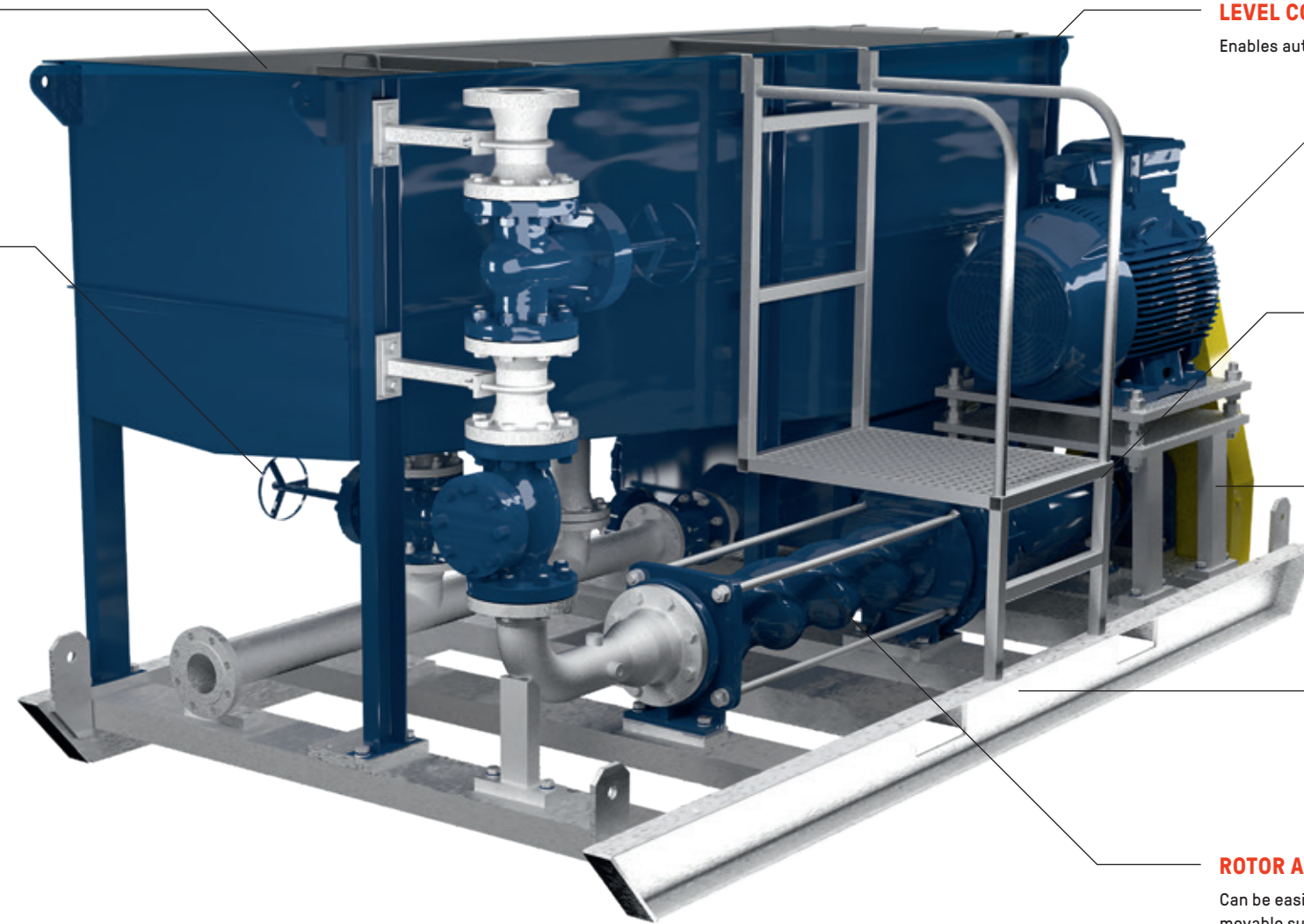
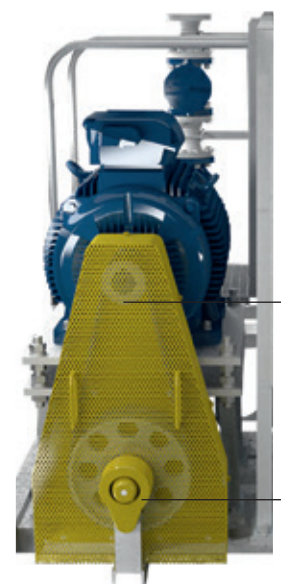
ROTOR AND STATOR

Easily accessible for quick maintenance.



MAINTAIN IN PLACE PUMP

The sliding casing and quick release tie rods offer fast and easy maintenance without needing to remove the pump or pipework.



APPLICATIONS

Used in both fixed and mobile installations, this SEEPEX solution confidently conveys erosive mine water for further clarification.

SEEPEX GmbH

www.seepex.com

BENEFITS

- Quick and easy maintenance
- Lightweight components
- Compact design
- Robust pumps for small spaces
- Quick access suction casing
- Lower operating costs
- Equal wall stators provide increased pressure capability
- No dismantling of pipework

KEY FACTS

- Conveying capacity:
72 m³/h (20 l/s, 317 USGPM)
- Pressure:
up to 24 bar (350 psi)
- Discharge head:
up to 240 m (787')